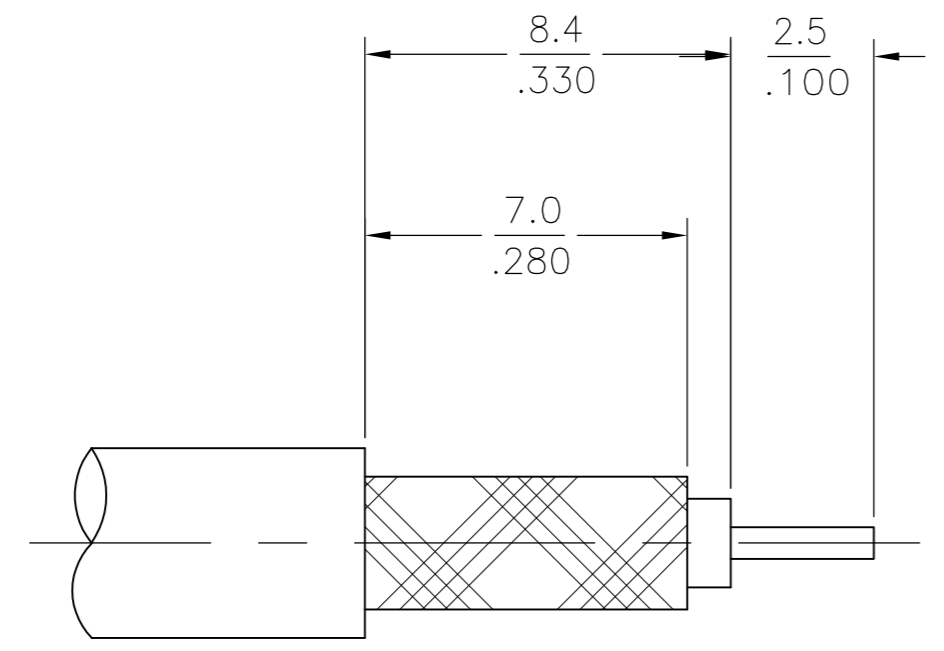
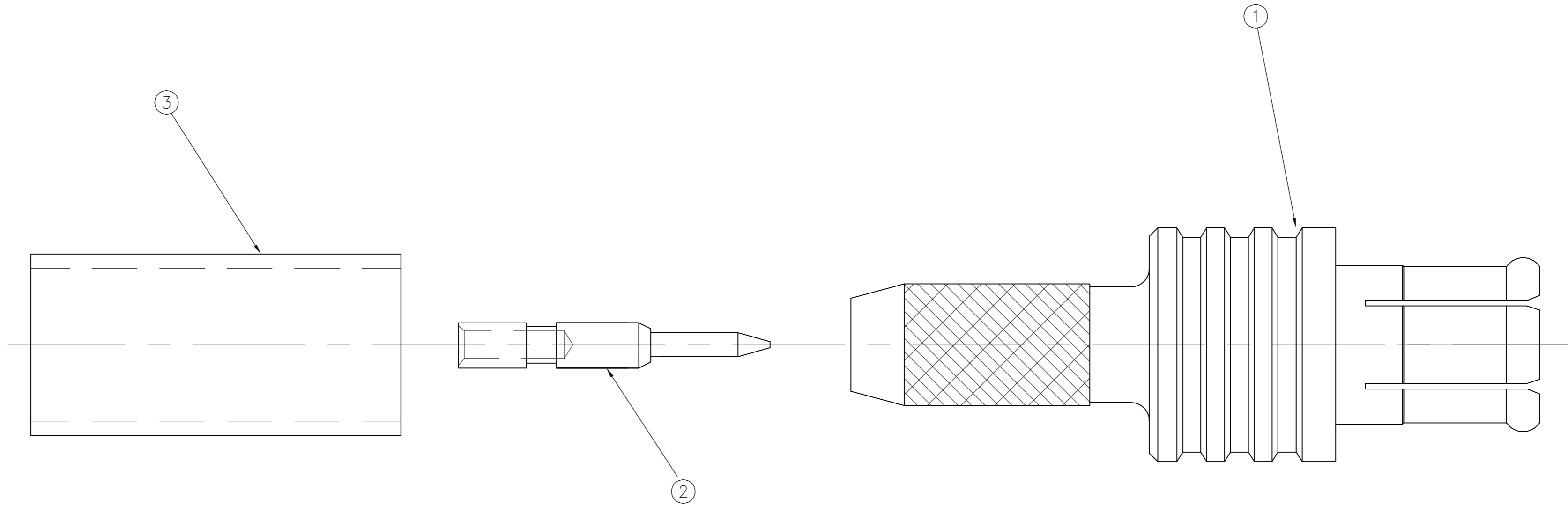


THIS DRAWING IS UNPUBLISHED. RELEASED FOR PUBLICATION
 © COPYRIGHT BY TYCO ELECTRONICS CORPORATION. ALL RIGHTS RESERVED.

LOC	DIST	REVISIONS					
AJ	16	P	LTR	DESCRIPTION	DATE	DWN	APVD
		E		REV PER ECO 08-007172	26MAR2008	DW	JL



RECOMMENDED STRIP LENGTH

1. FOR USE WITH RG-174/U, RG-188/U & RG-316/U CABLE.

3-413889-1	1408060-2	1408063-1	1060871-1
③ FERRULE QTY=1	② CONTACT QTY=1	① PLUG ASSEMBLY QTY=1	PART NUMBER

THIS DRAWING IS A CONTROLLED DOCUMENT.		DWN R.M.F. 07-21-00	Tyco Electronics Corporation Harrisburg, PA 17105-3608	
DIMENSIONS: mm [INCHES]		CHK -	NAME	
TOLERANCES UNLESS OTHERWISE SPECIFIED:		APVD R.M.F. 09-18-00	MCX CABLE PLUG, CRIMP ATTACHMENT, GOLD PLATED (5831-5003-09)	
0 PLC ± -		PRODUCT SPEC	SIZE	CAGE CODE
1 PLC ± -		APPLICATION SPEC	A2	00779
2 PLC ± -		WEIGHT	DRAWING NO	
3 PLC ± .005		408-10131	C=1060871	
4 PLC ± -		FINISH	SCALE	SHEET
ANGLES ± 1°		-	10:1	1 of 1
MATERIAL	FINISH	CUSTOMER DRAWING	RESTRICTED TO	REV
-	-		-	E